

1. Scope

This specification applies to precast concrete vaults that are **6'8" wide x 12'8" long x 8'0" deep** and their corresponding concrete covers, and pads, specifically for electrical use.

2. Material ID Numbers

The configurations and dimensions of the following vault, cover, and pad Cat. ID's shall conform to the corresponding drawings shown in section 9:

2.1 Vault

Material ID	Description	Section
1003601	6'8" x 12'8" x 6'6" (2 pc) Vault - 6'8" x 12'8" x 1'6" Bottom and 6'8" x 12'8" x 5'0" Middle	9.1 9.2 9.4 9.5 9.7 Item A

2.2 Covers and Pads

Material ID	Description	Section
1002001	6'8" x 12'8" x 1'6" Cover with 4'6" x 5'2" Blockout & 36" sq Diamond Plate Hatch Cover	9.1 Item B
1002247	6'8" x 12'8" x 1'6" Cover with (3) 36" sq Diamond Plate Hatch Covers	9.2 Item B
1003024	6'8" x 12'8" x 1'6" Cover with (3) 36" sq SlipNOT® Hatch Covers	9.2 Item B
1002285	6'8" x 12'8" x 1'6" Cover with 12" x 65" Blockout & 36" sq Diamond Plate Hatch Cover	9.3A
1003794	6'8" x 12'8" x 1'6" Cover with 12" x 65" Blockout Rotated 90 deg & 36" sq Diamond Plate Hatch Cover	9.3B
1002508	6'8" x 12'8" x 1'6" Cover with 64" x 66" Blockout & 36" sq Diamond Plate Hatch Cover	9.4 Item B
1003604	6'8" x 12'8" x 1'6" Cover with 42" Diameter Ductile Iron Manhole Lid	9.5 Item B
1002547	6'8" x 7'0" x 6" Pad with 12" x 65" Blockout for PMH to Vista Conversions	9.6
1003613	6'8" x 12'8" x 1'6" Cover with 3'0" x 9'0" Blockout for Adjustable Lid	9.7 Item B
1003614	5'0" x 11'2" x 8" Adjustable Vault Cover with (3) 36" sq SlipNOT® Hatch Covers	9.7 Item C
5001493	6'8" x 12'8" x 1'6" Cover with 18" x 72" Blockout & 36" sq Diamond Plate Hatch Cover	9.8A
5001495	6'8" x 12'8" x 1'6" Cover with 18" x 65" Blockout Rotated 90 deg & 36" sq Diamond Plate Hatch Cover	9.8B

2.3 RISERS

MID	Description	Section
5001391	7'4 x 13'4 x 1'0 Riser for 6'8 x 12'8 Vaults	9.9

3. Referenced Standards

All material, accessories, and marking for District vaults, pads, and covers shall conform to the requirements of District Material Standard VAULTMAT1, latest revision.

4. Pulling Irons

Vaults shall be equipped with 5/8" pulling irons located in the lower corners, unless otherwise specified by the District.

5. Interior equipment mounting hardware

All vaults shall be equipped with interior equipment mounting hardware.

6. Lifting Inserts

All vaults, covers, and risers shall be equipped with Burke-type lifting inserts appropriate for the structure's weight.

7. Identification

All vaults, covers, and pads shall be marked in compliance with VAULTMAT1.

8. Hatch Covers

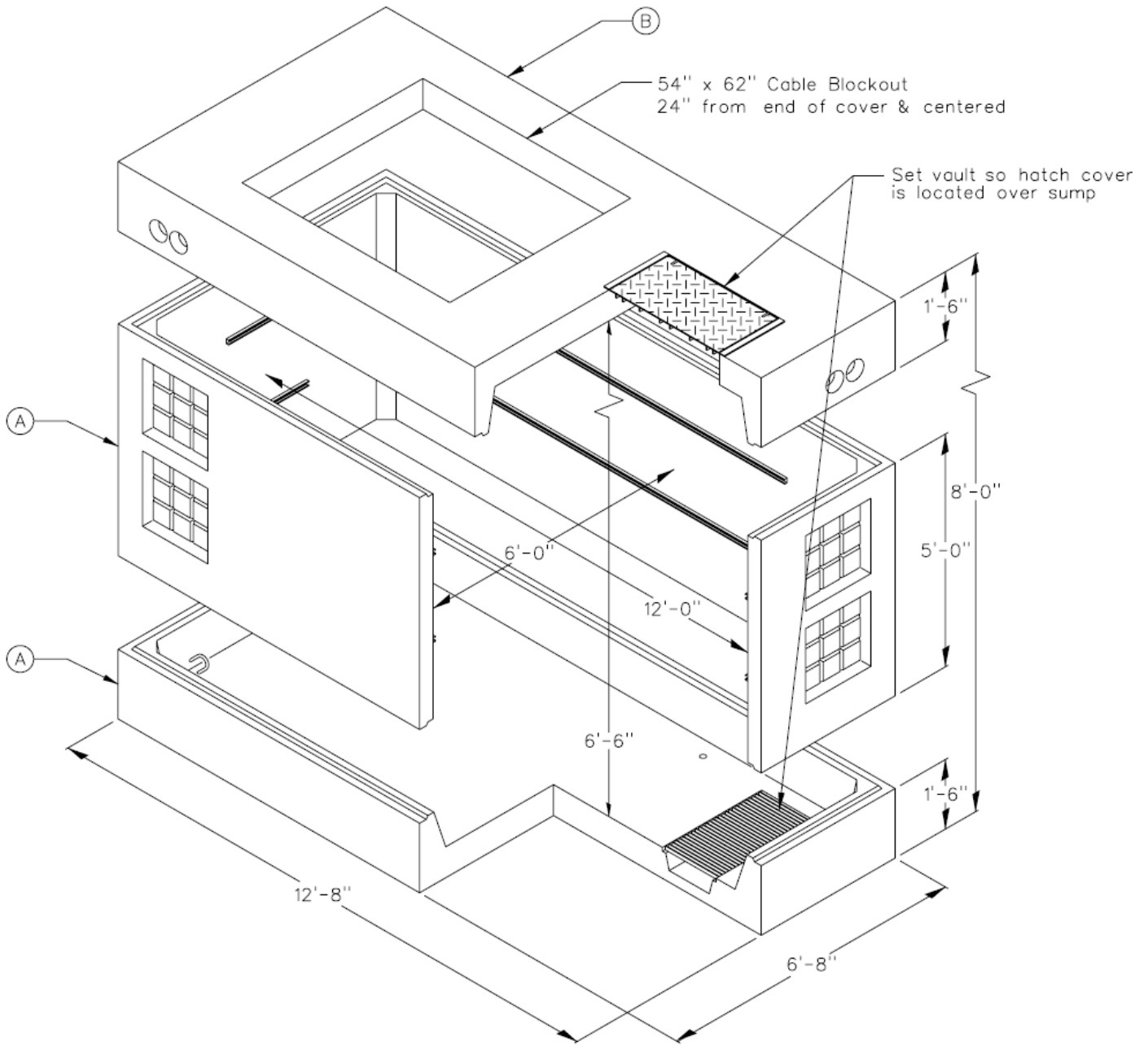
All hatch covers shall be constructed of H-20 rated Diamond Plate steel unless otherwise specified by the District. In individual cases, as needed, the District shall have the option to specify a Port Authority rating and/or a SlipNot® finish. Reference Section 6 in District Material Standard VAULTMAT1 for more detailed hatch cover requirements.

9. Dimensions

Vaults, pads, and covers shall have the following dimensions and knockout distribution (where applicable). Note that multiple covers may fit each vault and that covers may have the same dimensions with different accessories, i.e. a Diamond Plate steel hatch cover versus a SlipNot® finish type steel hatch cover.

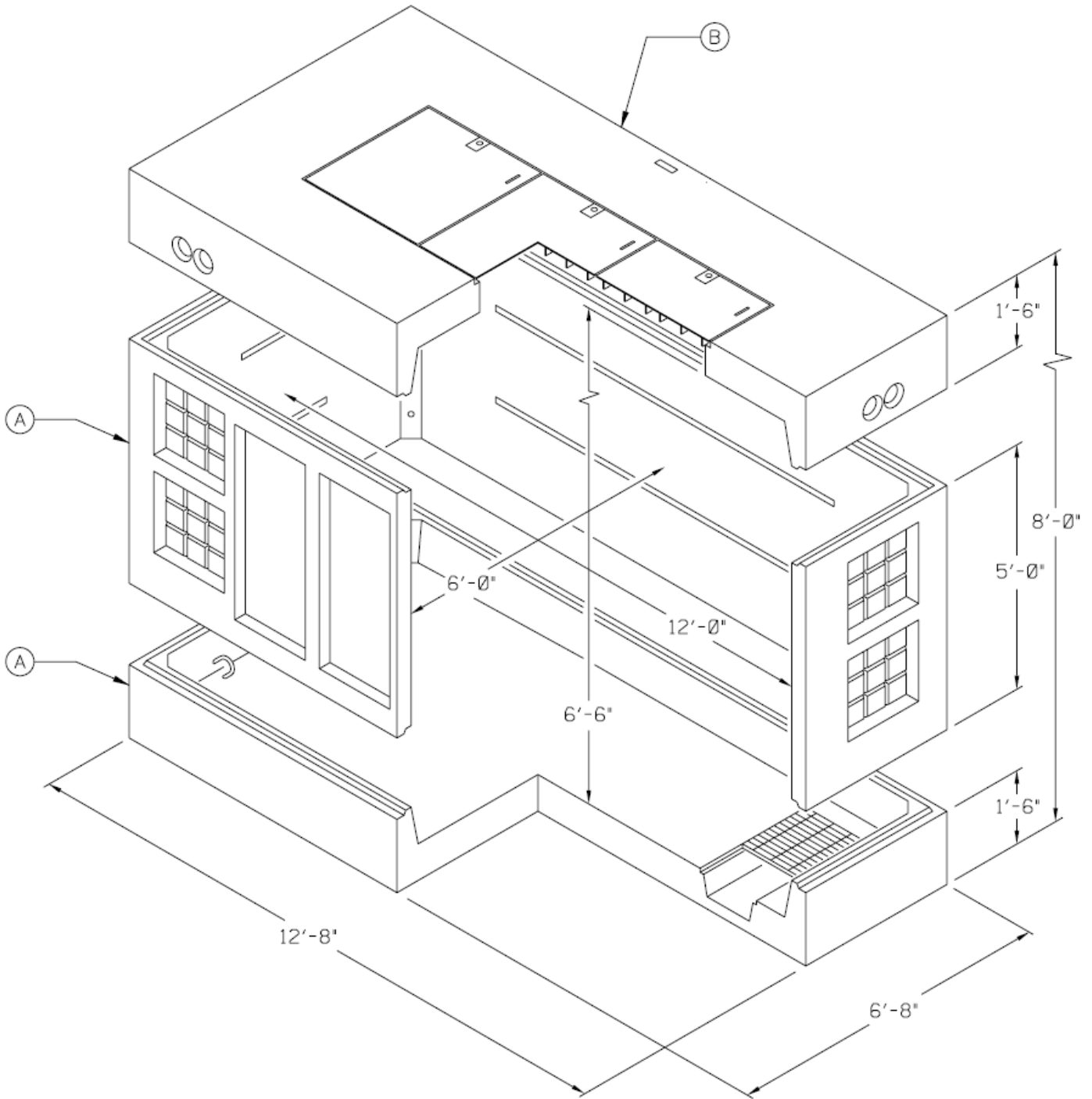
9.1:

6'8" x 12'8" x 8'0" (3 pc) Vault w/ 6'8" x 12'8" x 1'6" Cover for 15kV PMH Switch Cabinet



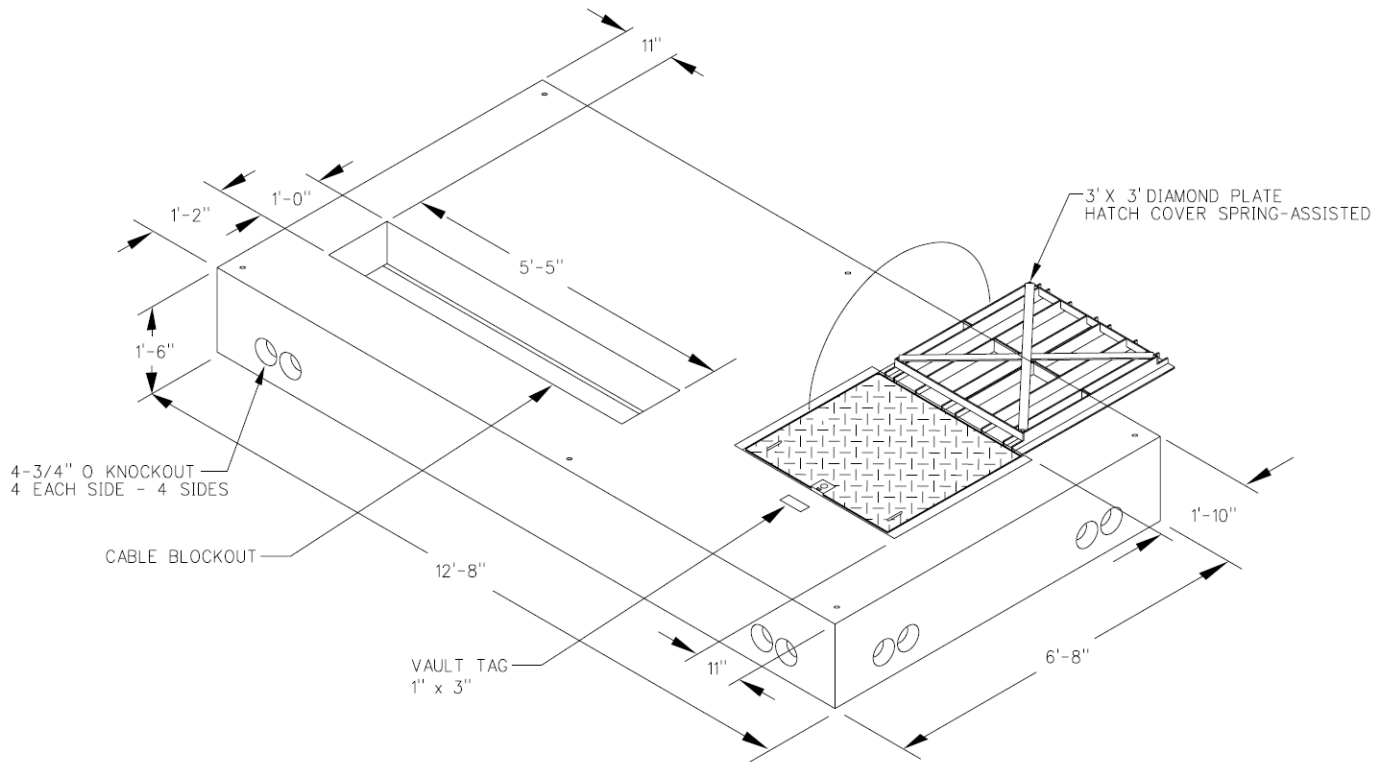
9.2:

6'8 x 12'8" x 8'0" (3 pc) Vault w/ 6'8" x 12'8" x 1'6" Cover w/ (3) 36" sq Hatch Covers



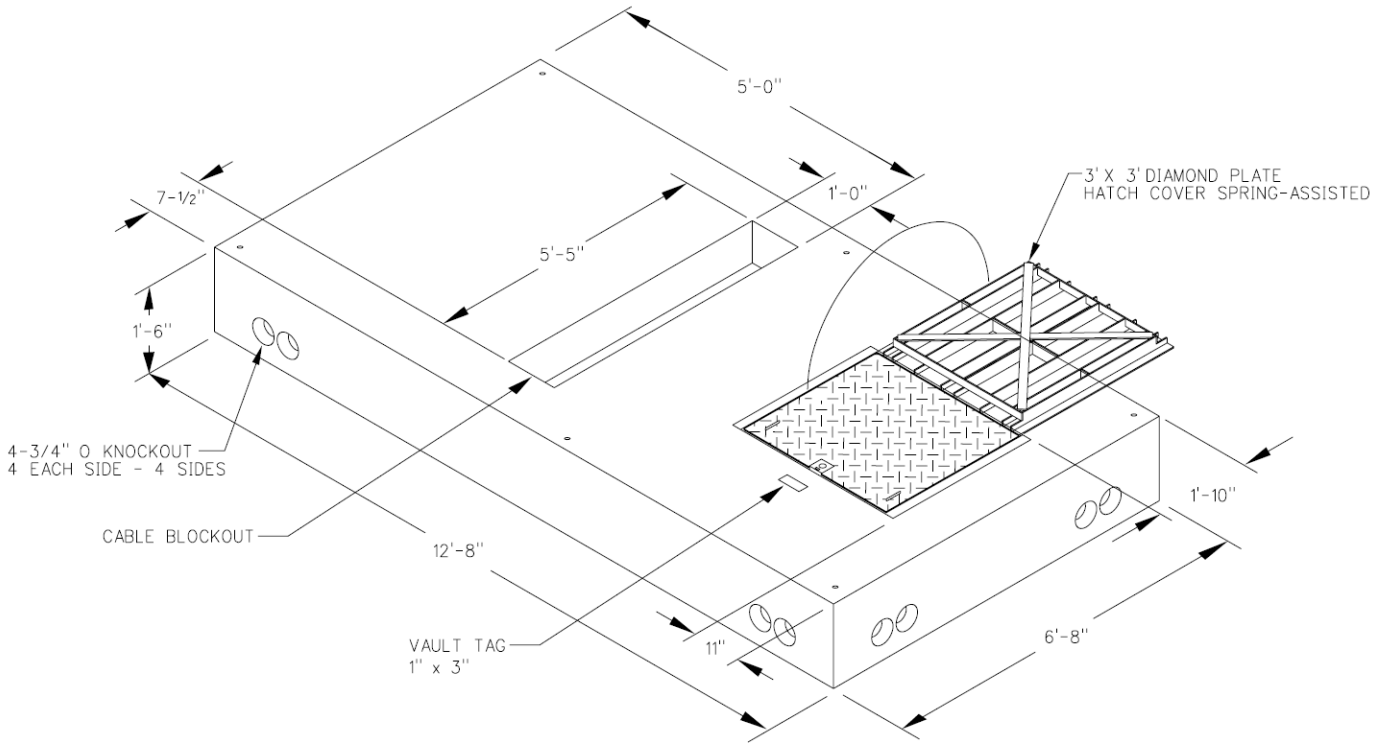
9.3A:

6'8" x 12'8" x 1'6" Vault Cover w/ 12" x 65" Blockout & 36" sq Hatch Cover for 15kV S&C Vista Deadfront Switch Cabinet



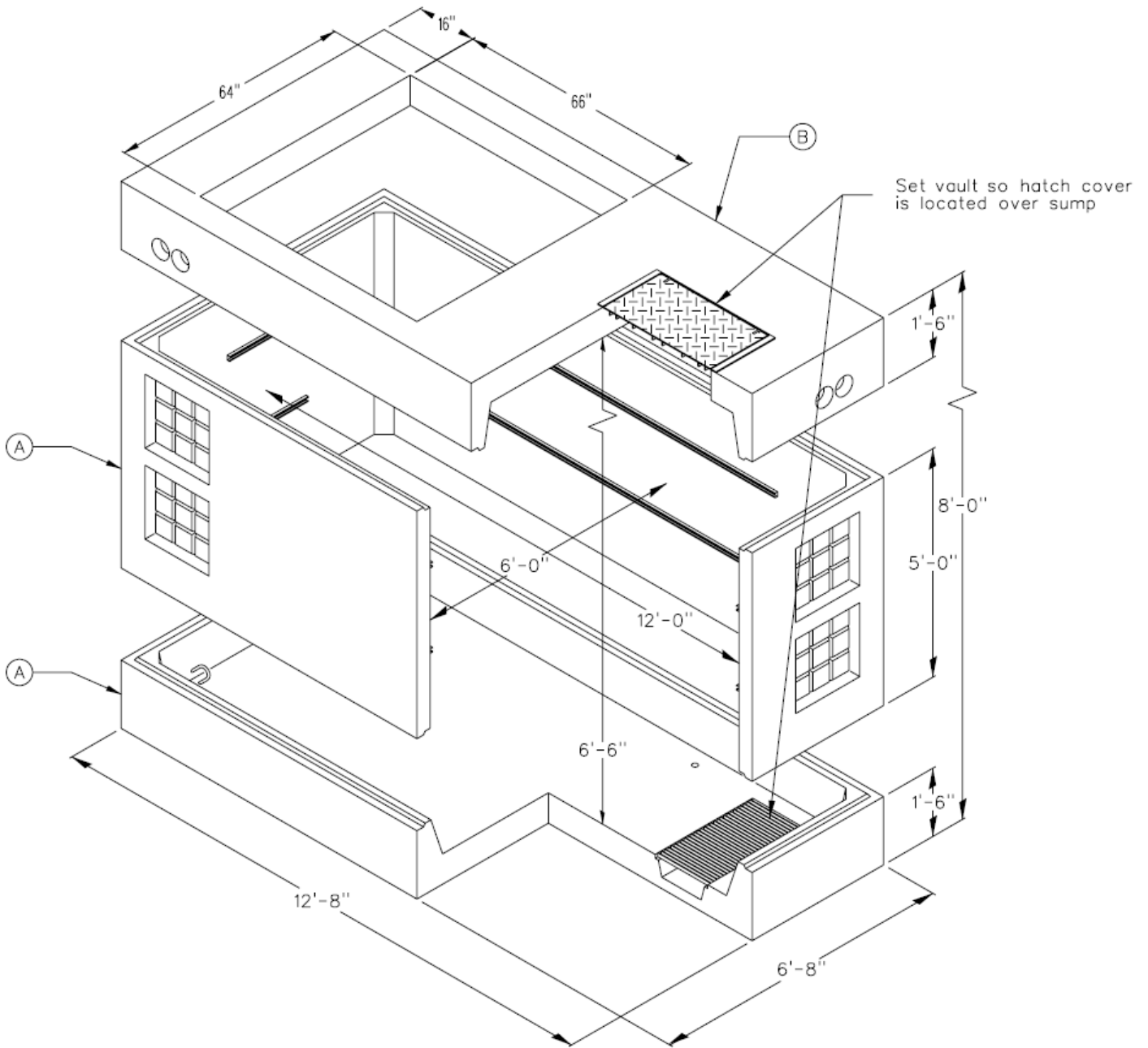
9.3B:

6'8" x 12'8" x 1'6" Vault Cover w/ 12" x 65" Blockout Rotated 90 deg & 36" sq Hatch Cover for 15kV S&C Vista Deadfront Switch Cabinet



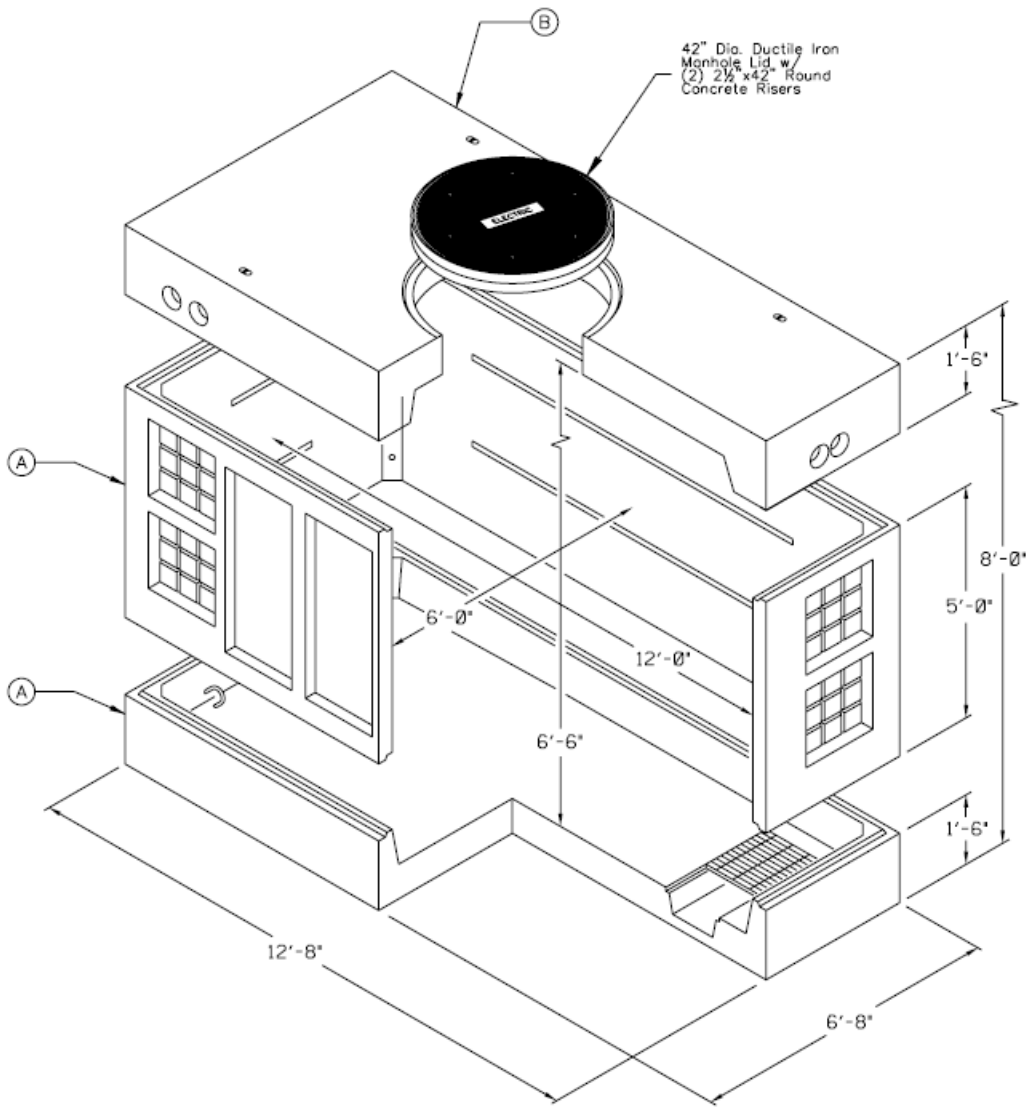
9.4:

6'8" x 12'8" x 8'0" (3 pc) Vault w/ 6'8" x 12'8" x 1'6" Cover for 15kV Deadfront Switch Cabinet



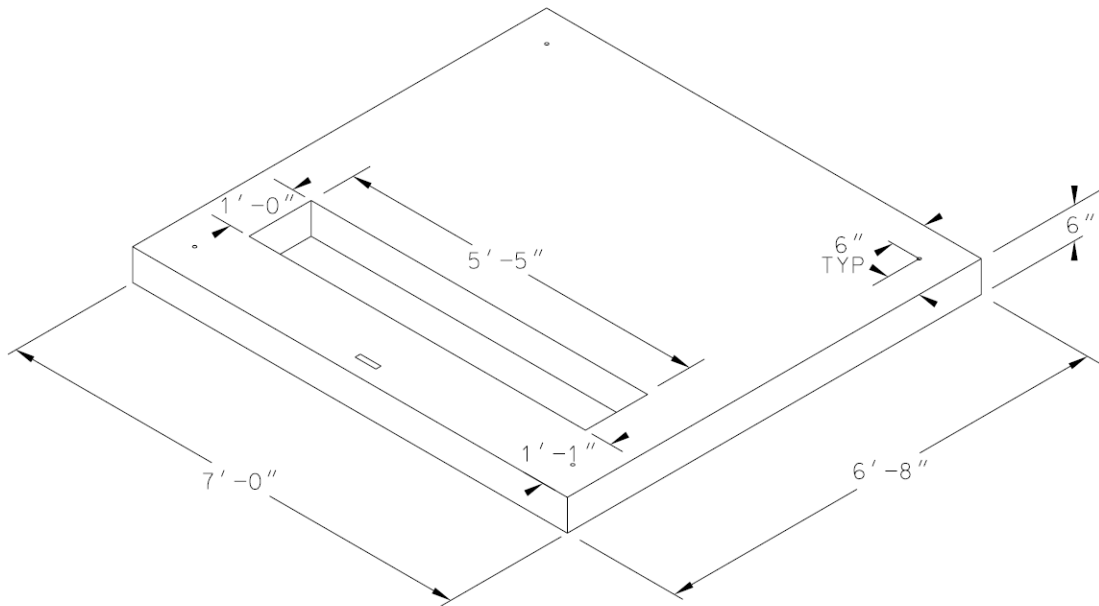
9.5:

6'8" x 12'8" x 1'6" Vault Cover w/ 42" Radius Ductile Iron Manhole Lid



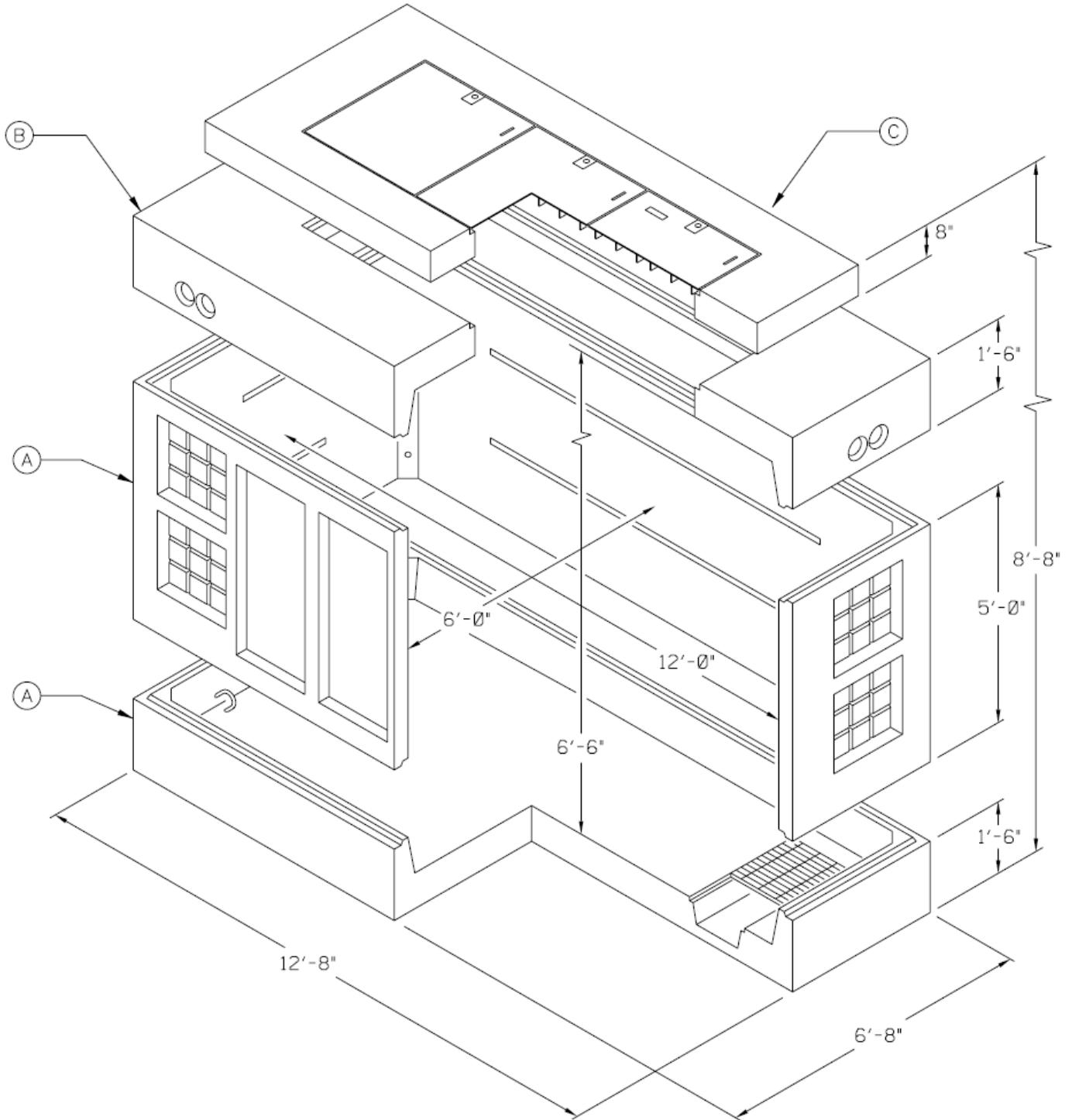
9.6:

6'8" x 7'0" x 6" Pad w/ 12" x 65" Blockout for PMH to S&C Vista Deadfront Switch Cabinet Conversions



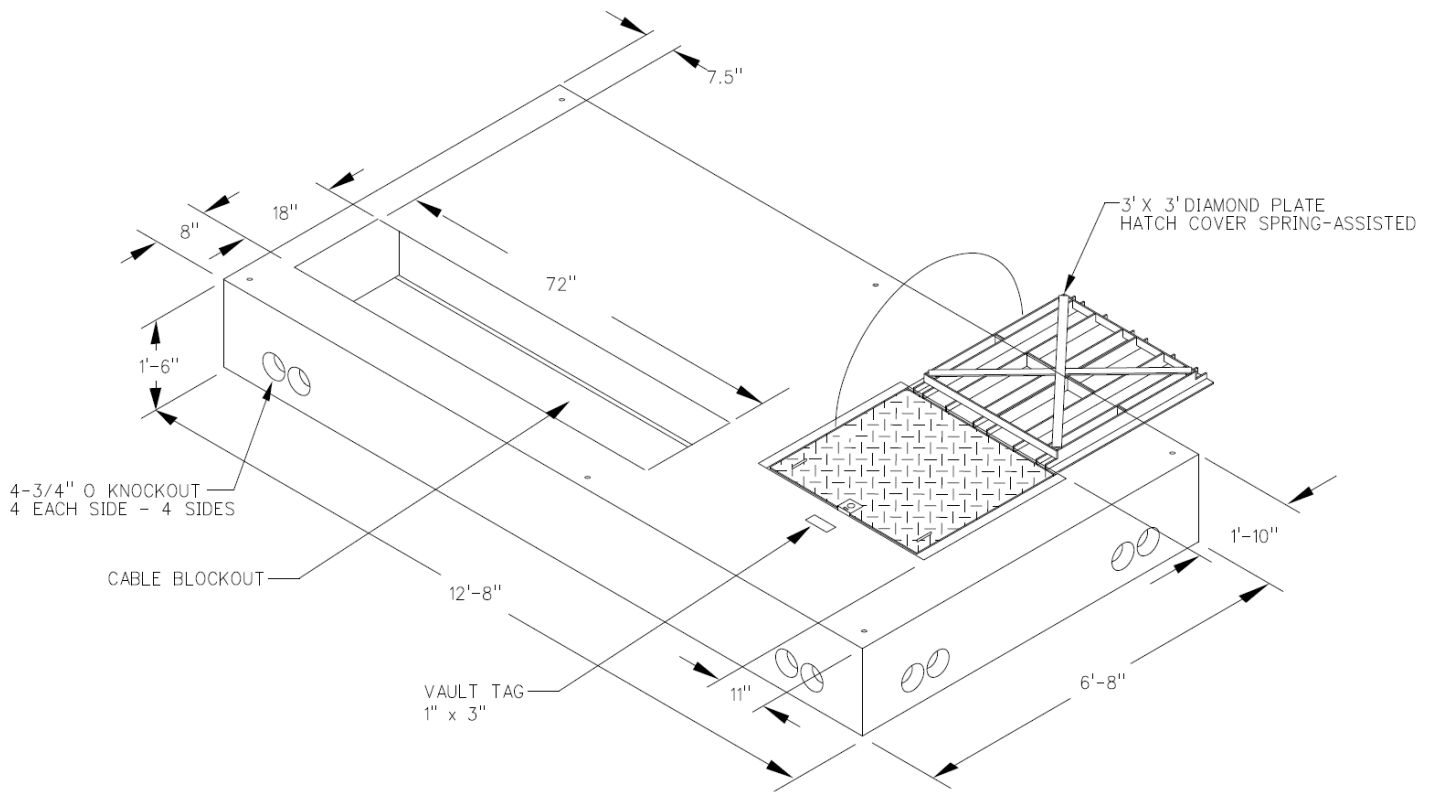
9.7:

5'0" x 11'2" x 8"H Adjustable Vault Cover w/ (3) 36" sq SlipNOT® Hatch Covers for Setting on Top of a 6'8" x 12'8" x 1'6"H Vault Cover Having a 3'0" x 9'0" Blockout



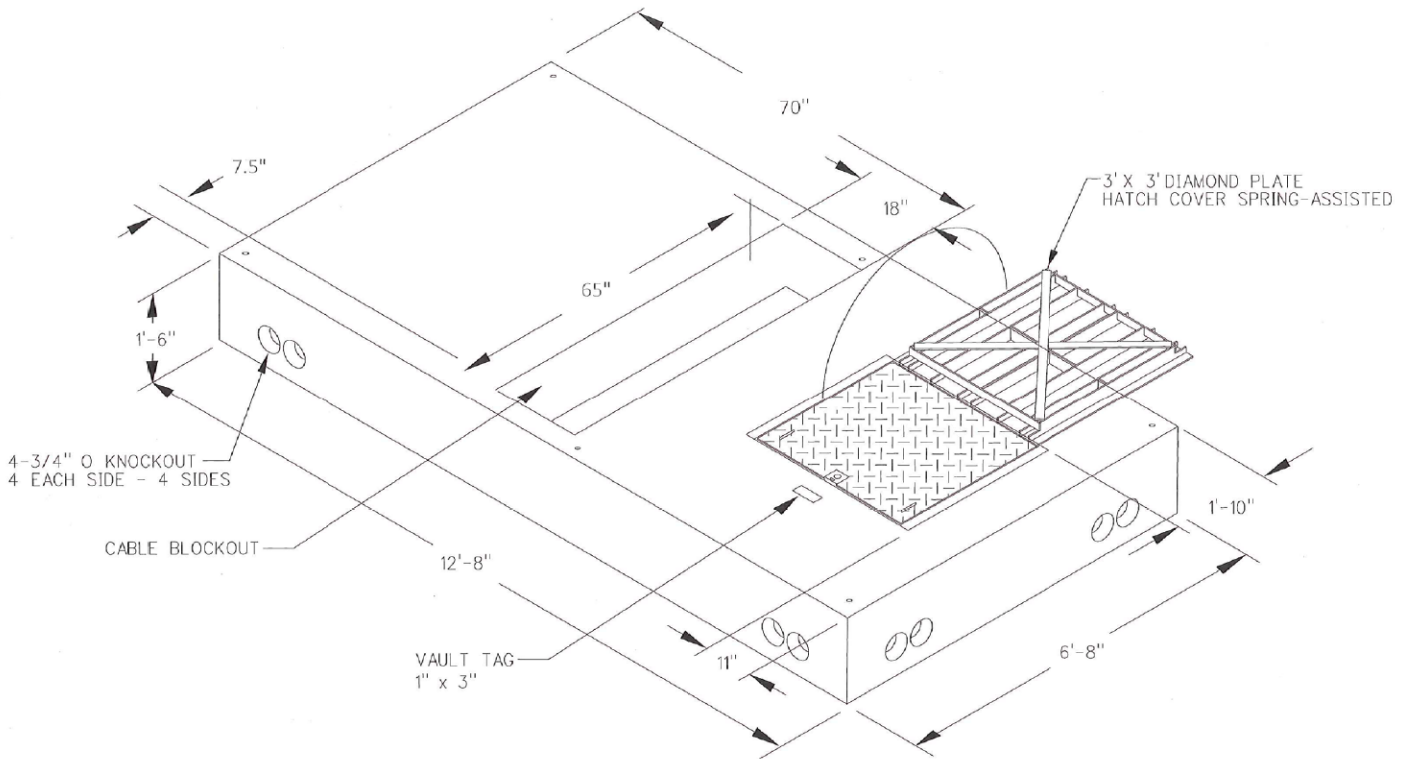
>9.8A:

6'8" x 12'8" x 1'6" Vault Cover w/ 18" x 72" Blockout & 36" sq Hatch Cover for 15kV Trayer Pad-mount Deadfront Switch Cabinet



9.8B:

6'8" x 12'8" x 1'6" Vault Cover w/ 18" x 65" Blockout Rotated 90 deg & 36" sq Hatch Cover for 15kV Trayer Padmount Deadfront Switch Cabinet



9.9:

7'4 x 13'4 x 1'0 Riser for 6'8 x 12'8 Vaults

